

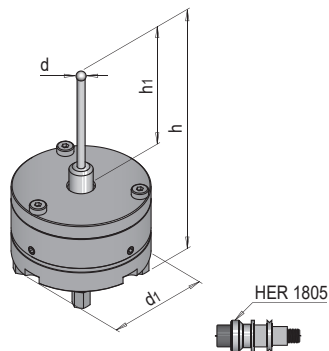


PRODUCT DESCRIPTION

- » Original reference elements
- » Spring loaded sensor (overrun protection X, Y, Z, 1 mm)
- » Carbide tip

INCLUDED IN THE DELIVERY

- » Clamping spigot HER 1805 and wooden box



h	h1	d1	d	No.	EUR
120	69	69.5	2	HER 2112/2	<>
120	69	69.5	5	HER 2112/5	<>