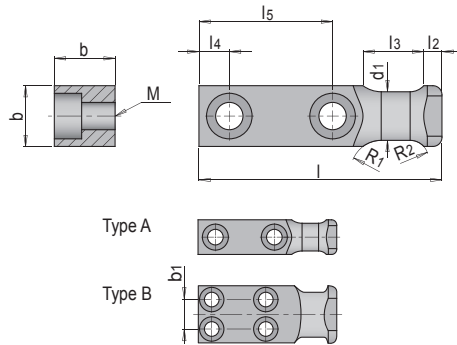


### PRODUCT DESCRIPTION

» According to VDI 3366

### MATERIAL

» 1.1191  $\approx 700 \text{ N/mm}^2$



Type	E 1200	max. kg	b	l	b1	h1	l2	l3	l4	l5	M	R1	R2	d1	No.	EUR
A	8x25	320	20	80	-	6	6	20	10	44	M 8	10	6	16	E 1282/ 16	<>
A	10x30	630	25	90	-	8	8	25	10	47	M10	12	8	20	E 1282/ 20	<>
A	12x40	1,250	35	100	-	10	8	30	12	50	M12	15	10	25	E 1282/ 25	<>
A	16x45	2,000	40	120	-	10	10	32	16	62	M16	15	10	32	E 1282/ 32	<>
A	20x60	3,200	50	140	-	12	10	40	18	72	M20	20	12.5	40	E 1282/ 40	<>
A	24x70	5,000	60	160	-	14	12	45	22	81	M24	20	12.5	50	E 1282/ 50	<>
B	20X90	8,000	80	200	40	16	12	50	20	98	M20	25	15	63	E 1282/ 63	<>
B	24X120	12,500	100	250	50	18	15	65	25	125	M24	35	20	80	E 1282/ 80	<>
B	30X140	20,000	120	300	60	20	15	80	30	155	M30	40	25	100	E 1282/100	<>

**i** For safety reasons, always take into account that two supporting lifting studs must carry the weight of the entire die.

