



Die making Consumables

High-performance anti-corrosion wax VPW 110



Corrosion protection for the toughest conditions such as wire erosion or overseas transport.

Corrosion protection

- › VPW 110
- › VPW 80
- › VPG 70 FD **H1**
- › VPG 60

Retaining compound, high strength and low viscosity VBA 6M03



High-strength adhesive for fastening, for example, highly stressed gluing bushes with a very small adhesive gap.

Adhesive bonding

- › VBA 6M03
- › VBA 6M48

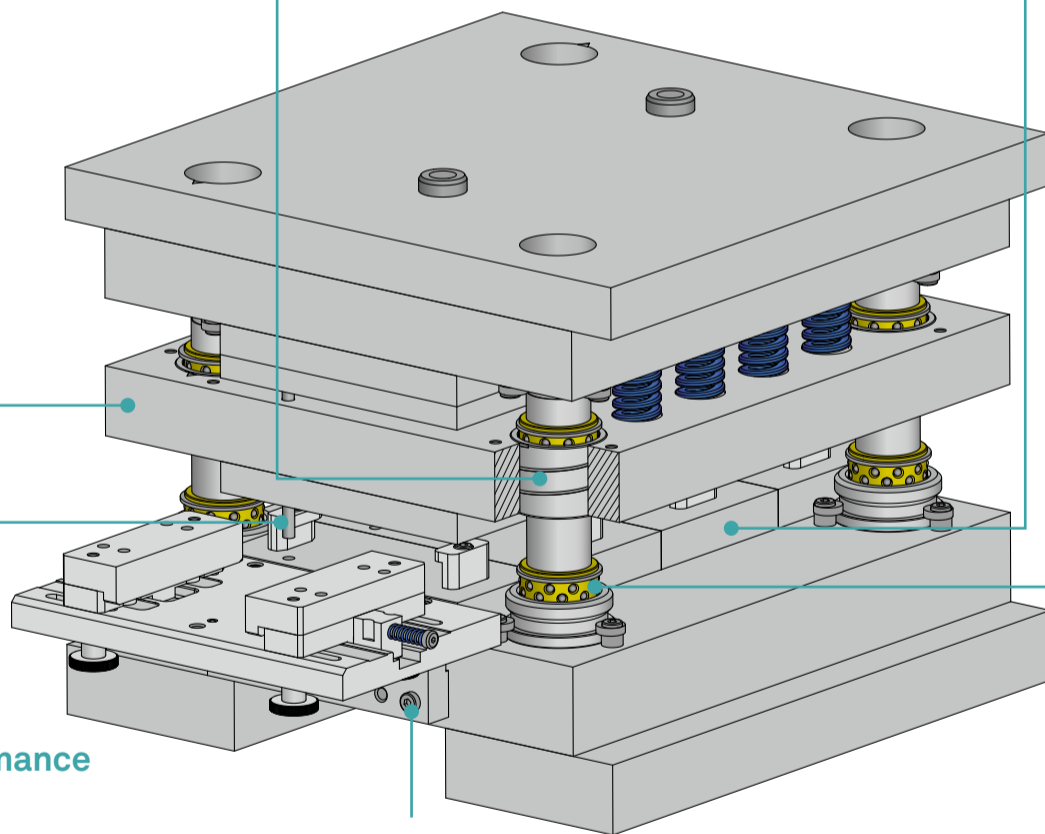
High-performance universal cleaner VCM 20



Residue-free removal of grease, oil, wax and many other types of soiling.

Cleaning

- › VCM 20 **K1** **K3**
- › VCM 25 FD **H1**
- › VCQ 10
- › VCW 25



Fully synthetic high-performance grease VGS 180



Demanding lubrication of active or guide elements, among others.

Lubrication of dies

- › VGS 180
- › VGM 160
- › VGS 170 S
- › VGS 160 FD **H1**
- › VLS 250

White assembly paste VAP 1000



Protection against corrosion, fretting, and fretting corrosion, for example on screw connections.

Installation

- › VAP 1000 **H1**
- › VAP 1000 S

Fully synthetic high-performance oil VLS 250



For the lubrication of guide parts such as ball or roller guide bushes.

Rolling bearing lubrication

- › VLS 250



Order now from our web shop!

www.meusburger.com/workshop-equipment

meusburger

Standards for your success.