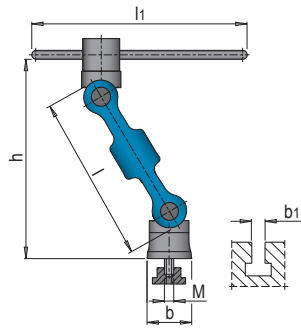


PRODUCT DESCRIPTION

- » Stepless adjustment in 5 axes
- » Quick and easy setting
- » M8 thread for HWS 9016 T-slot nuts or for direct mounting

INCLUDED IN THE DELIVERY

- » Delivery includes HWS 9016 T-nut (M8x12)



b	h	l	l1	M	b1	No.	EUR
39	75-210	150	175	M 8	12	HWS 1600/8/12	< >