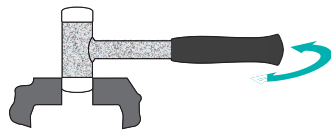
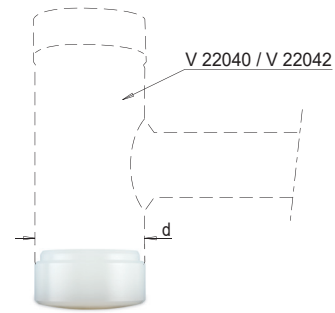


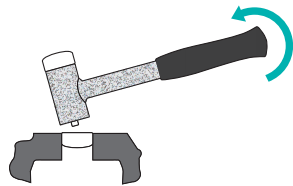
PRODUCT DESCRIPTION

- » Spare inserts for mallet out of special nylon
- » High wear resistance, no chipping
- » Low-noise

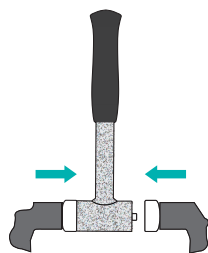
d	No.	EUR
25	V 220401/25	< >
30	V 220401/30	< >
35	V 220401/35	< >
40	V 220401/40	< >
50	V 220401/50	< >
60	V 220401/60	< >
70	V 220401/70	< >



Tightly clamp the worn impact insert in the vice and loosen the impact insert by twisting sideways.



After the impact insert has been loosened pull the mallet upwards.



Press the new impact inserts in the vice on the impact insert mandrels.