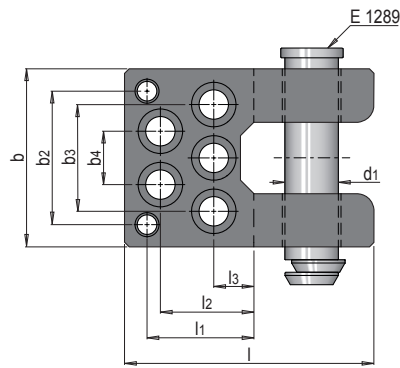


### MATERIAL

» 1.0570

### INCLUDED IN THE DELIVERY

» 2 x E 5345/ 22 x 45



E 1200	max. kg	b	l	s	l1	s1	b2	l2	b3	l3	b4	l4	d1	No.	EUR
16x 80	3,200	126	185	75	85	80	90	65	80	30	40	40	30	E 1288/30	<>
20X100	5,000	150	210	95	87	100	104	65	90	25	45	50	40	E 1288/40	<>
24X120	8,000	175	240	115	95	120	125	80	100	35	50	60	50	E 1288/50	<>
36X160	12,500	200	300	130	145	140	155	125	130	60	70	65	60	E 1288/60	<>

**i** For safety reasons, always take into account that two lifting brackets must carry the weight of the entire die.

